

500-2700MHz/20Watt/Module

Model Number: MCW0527M43A

The model MCW0527M43A is a multi-octave high power amplifier operating between 500 MHz and 2700 MHz and offering a wide dynamic Range with 20Watts typical saturated power. The employment of advanced high power devices in manufacturing ensures this module exceptional power performance, long term reliability and high efficiency. It is ideal for broadband mobile Jamming and band specific high power linear applications in the P/L/S frequency bands.

FEATURES:

- Solid-state Class AB linear design
- Instantaneous ultra-broadband
- Small and lightweight
- Suitable for CW, AM, and FM, etc.
- High reliability and ruggedness

ELECTRICAL SPECIFICATIONS @ +28.0VDC, 25°C, 50Ω

Parameter	Symbol	Min	Typ	Max	Units
Operating Frequency	BW	500		2700	MHz
Output Power CW	P _{SAT}	20			Watt
Power Gain	G _P		44		dB
Gain Flatness	ΔG _P		±2.5		dB
Harmonics @ POUT = 10W	H		-15		dBc
Spurious Signals	Spur		-60		dBc
Input Return Loss	S ₁₁			-10	dB
Operating Voltage	V _{DC}	24	28	32	Volt
Current Consumption @ POUT = 20W	I _{DD}		4		Amp
Current Consumption @ Shutdown	I _{SD}		0.1		Amp
Switching Speed	TON/OFF		2	5	uS
In/Output Impedance	Impedance		50		Ω

MECHANICAL SPECIFICATIONS

Parameter	Value	Units	Notes
Dimensions	140×80×25 [5.51×3.15×0.98]	mm [inch]	Max
Weight	0.65 [1.4]	kg [lbs]	Max
RF Connectors Input	SMA, Female		
RF Connectors Output	SMA, Female		
DC Interface Connector	D-Sub 9-Pin, Male		
Cooling	External Heatsink required (Not Supplied)		

ENVIRONMENTAL CHARACTERISTICS (Design to Meet)

Parameter	Minimum	Typical	Maximum	Units	Notes
Operating Case Temperature	-20		60	°C	
Storage Temperature	-25		65	°C	Storage
Relative Humidity (non-condensing)			95	%	

Absolute Maximum Rating

Input RF drive level without damage	+10 dBm (Max)
Load VSWR @ POUT =10W	∞ @ all load phase & amplitude for duration of 1 minute; 3:1 @ all load phase & amplitude continuous
Over Temperature	105°C @ heatsink [restored @ 80°C]

Chengdu Microwave Technology Co., Ltd

>>1st Floor, Building 3#, Huidu Science Park, No.5 Xixin Avenue, High-tech West District, Chengdu, China 611731

>>Tel:+86(28)87872669*0

>>Fax:+86(28)87882925

>>Mobile/WhatsApp:+86-181 8078 9271

>>E-mail: info@cdmicrowave.com

>>www.cdmicrowave.com

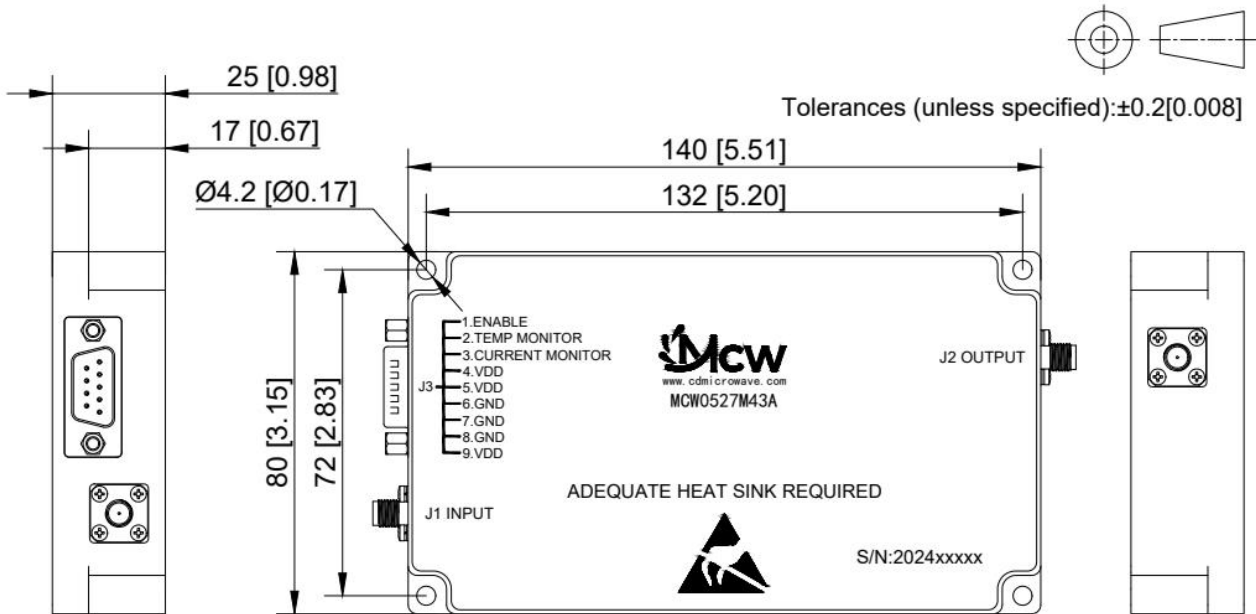
500-2700MHz/20Watt/Module

Model Number: MCW0527M43A

DC INTERFACE CONNECTOR

Pin #	Description	Specifications
1	ENABLE	Amplifier ENABLE: TTL Logic High (3.3V) (Internally Pulled-Low)
2	TEMP MONITOR	Analog voltage relative to Module's Temperature @ 10 mV/°C
3	CURRENT MONITOR	Analog voltage relative to IDD @ 100 mV per Ampere
4	VDD	28VDC
5	VDD	28VDC
6	GND	Ground
7	GND	Ground
8	GND	Ground
9	VDD	28VDC

OUTLINE DRAWING (All dimensions in mm)



Chengdu Microwave Technology Co., Ltd

>>1st Floor, Building 3#, Huidu Science Park, No.5 Xixin Avenue, High-tech West District, Chengdu, China 611731

>>Tel:+86(28)87872669*0

>>Fax:+86(28)87882925

>>Mobile/WhatsApp:+86-181 8078 9271

>>E-mail: info@cdmicrowave.com

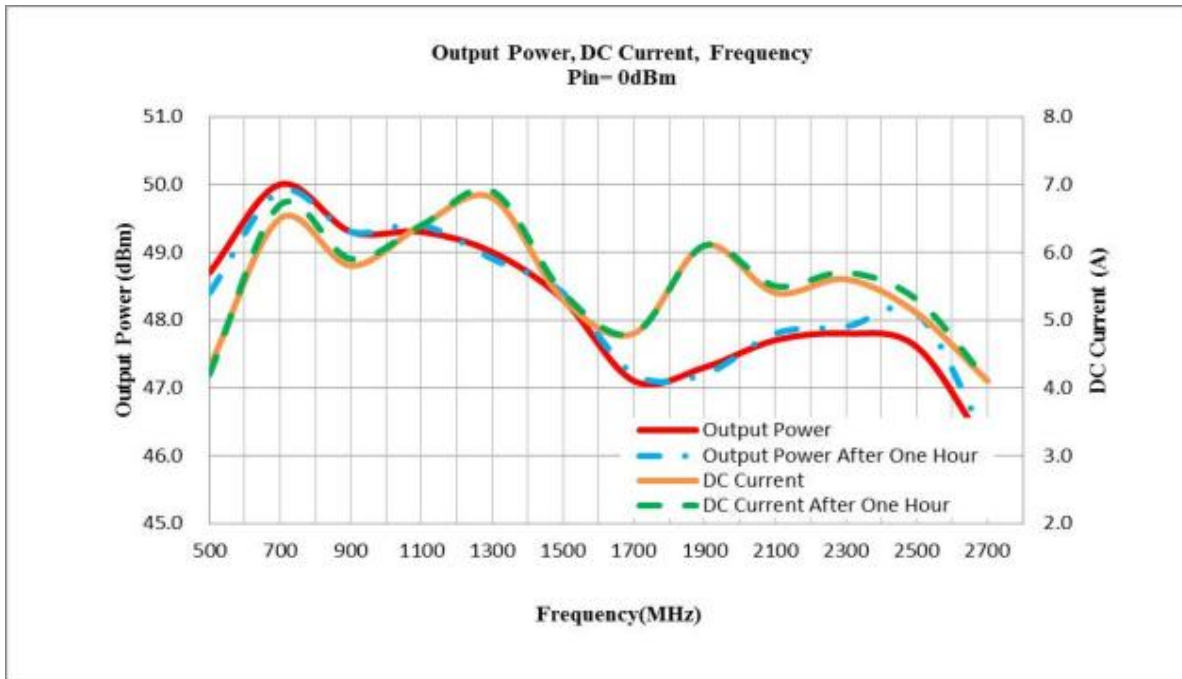
>>www.cdmicrowave.com

500-2700MHz/20Watt/Module

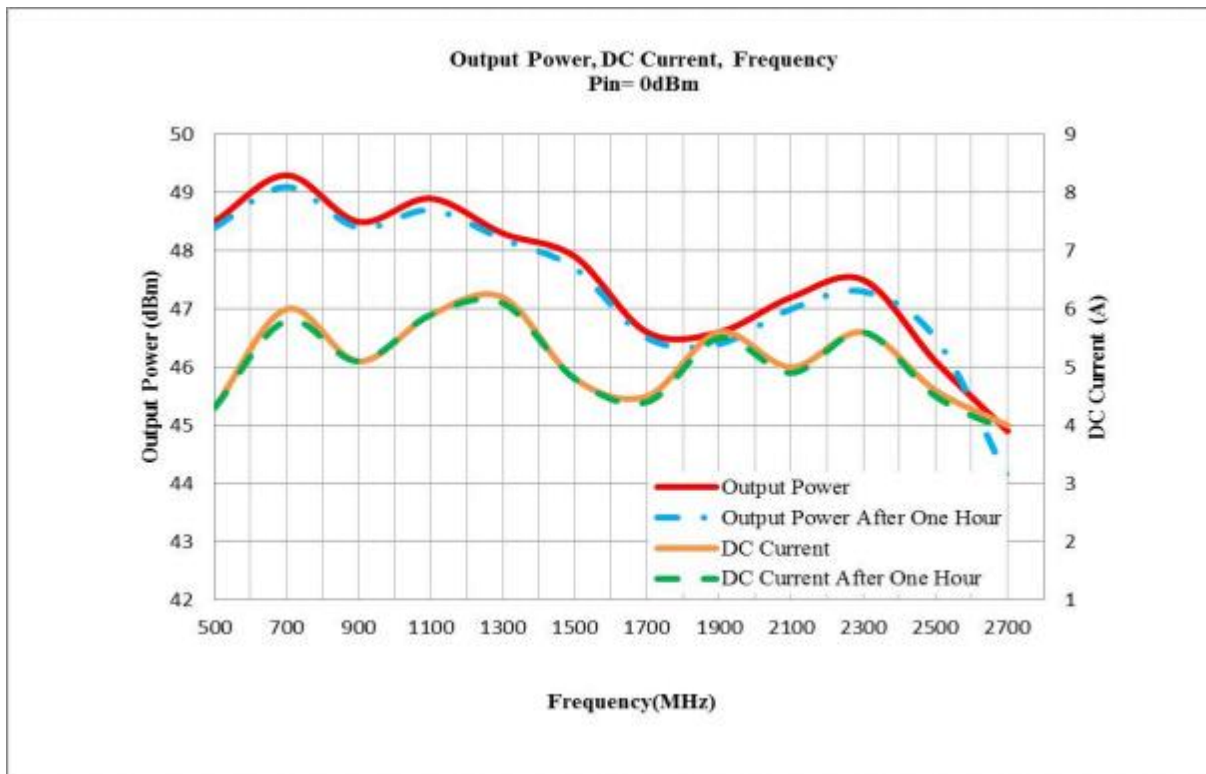
Model Number: MCW0527M43A

TYPICAL PERFORMANCE PLOTS (For Reference Only)

Graph 1: Output Power (Low temp. -20±3°C)



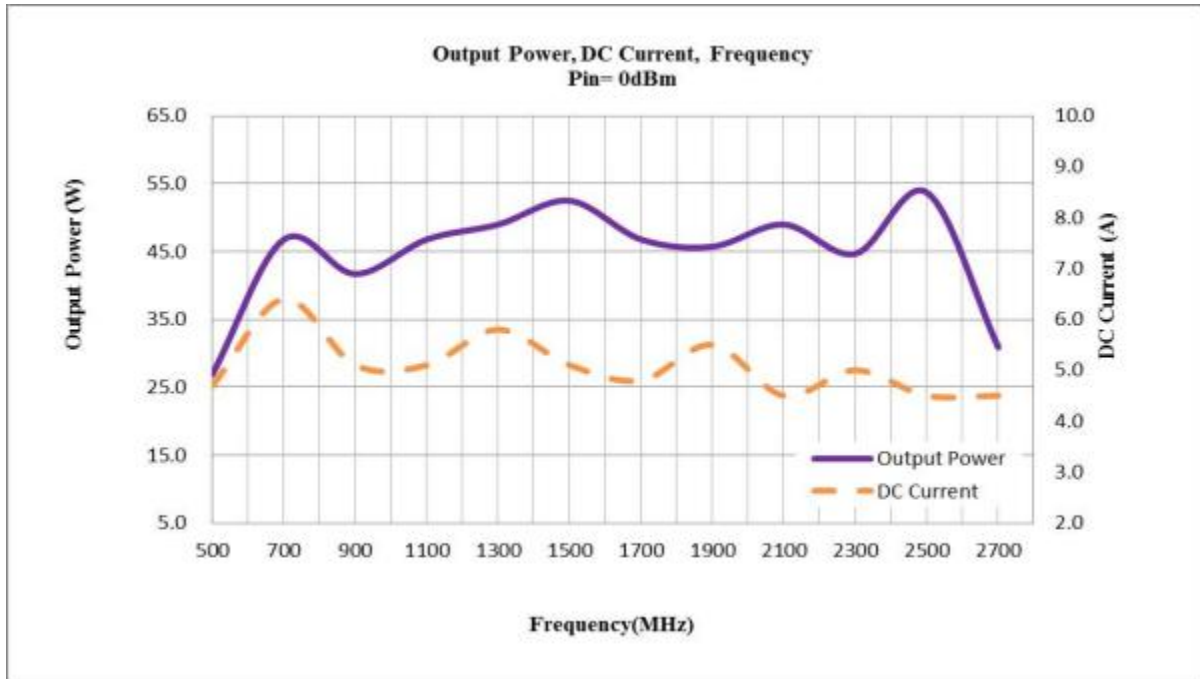
Graph2: Output Power (High temp. +60±3°C)



500-2700MHz/20Watt/Module

Model Number: MCW0527M43A

Graph3: Output Power (Normal temp. +25±3°C)



Chengdu Microwave Technology Co., Ltd

>>1st Floor, Building 3#, Huidu Science Park, No.5 Xixin Avenue, High-tech West District, Chengdu, China 611731

>>Tel:+86(28)87872669*0

>>Fax:+86(28)87882925

>>Mobile/WhatsApp:+86-181 8078 9271

>>E-mail: info@cdmicrowave.com

>>www.cdmicrowave.com

500-2700MHz/20Watt/Module

Model Number: MCW0527M43A

Input Return Loss:



Important Note:

1. Adequate heatsink required.
2. This product will be developed upon contract/order. All the above specs are for reference only. Actual product may be different. Please check with Chengdu Microwave Technology Co., Ltd sales team or E-mail to info@cdmicrowave.com if you have any more questions.

Chengdu Microwave Technology Co., Ltd

>>1st Floor, Building 3#, Huidu Science Park, No.5 Xixin Avenue, High-tech West District, Chengdu, China 611731

>>Tel:+86(28)87872669*0

>>Fax:+86(28)87882925

>>Mobile/WhatsApp:+86-181 8078 9271

>>E-mail: info@cdmicrowave.com

>>www.cdmicrowave.com